

Precision Clinical Lamps



Manufactured in Switzerland

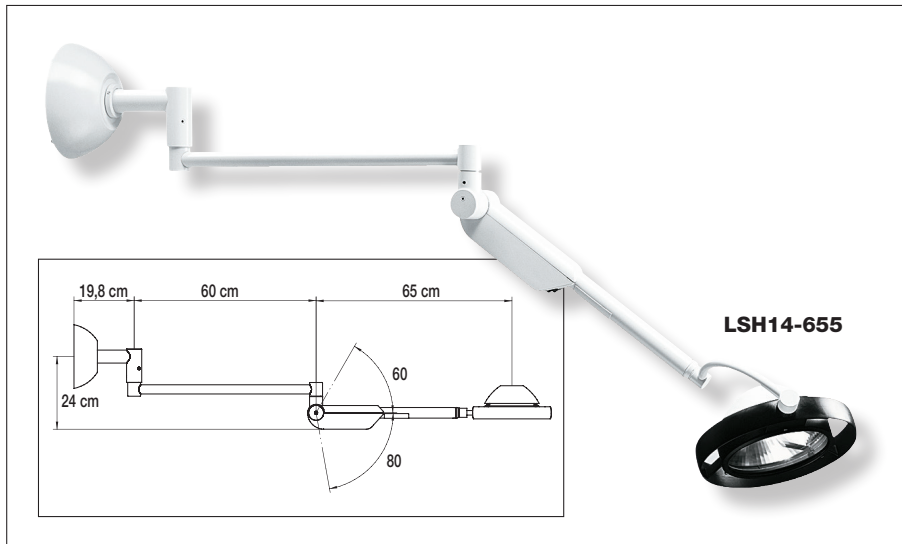
Lamp Included

MAX. 50W

230V-240V



- High quality inspection clinical lighting from Switzerland
- Electronic transformer
- Easy to manoeuvre with effective stay put mechanism
- Metal and polycarbonate construction
- Use Osram 64440 IRC halogen capsule lamp



Light characteristics for:
LSH13-959,
LSH13-956,
LSH13-958

Measuring distance 0,8 m

