

# Clinical Magnifying Lamp







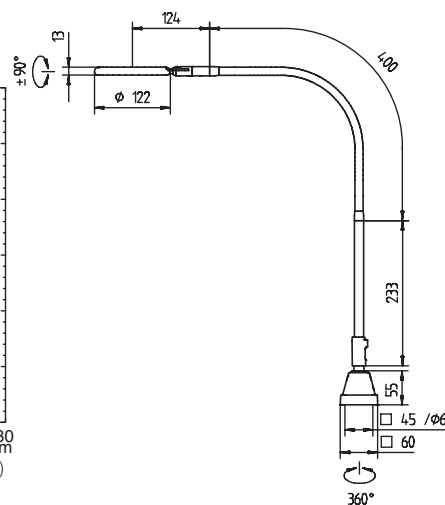
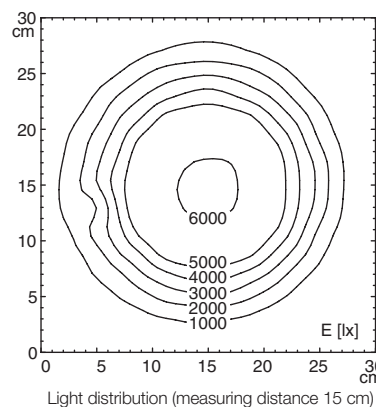

 Manufactured in Germany

## LSH112-885

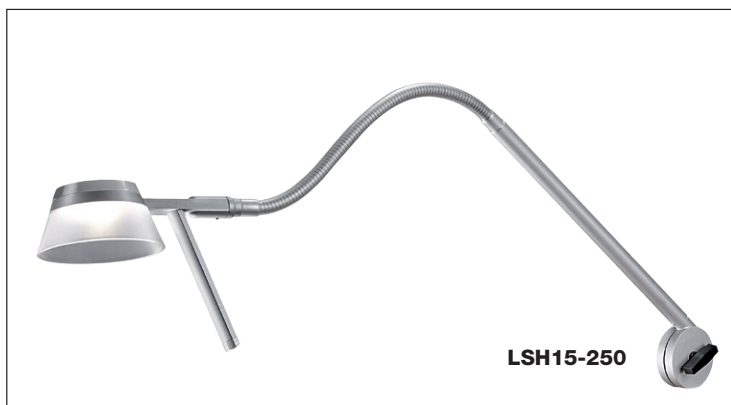
- 5.3 diopter magnifying lens
- For use in numerous fields of application - from mechanical engineering to research and development
- 50,000 hours operating life
- The easy to reach soft-touch sensor is integrated in the luminaire head
- The LED and circuit board are resistant to vibration
- Closed luminaire allows for simple fast cleaning
- Supplied with 2metre cord and plug

## LSH3-45

- Clamp base for LSH112-885



# Bedside Lamp








 Manufactured in Switzerland

## LSH15-250

- 3,000K Warm White
- Safe non-breakable polycarbonate lens
- For rail mounting
- For wall mounting
- For table clamp fastening
- For universal fastening
- Purchase bases separately
- The closed construction and smooth surface ensure quick and hygienic cleaning



On/Off sensor for the night light - night light is an amber coloured LED

Handle with illuminated On/Off sensor switch for the reading light

360° swivel

